

MK-101 PRO24 TILE SAW

OWNER'S MANUAL PARTS LIST & OPERATING INSTRUCTIONS

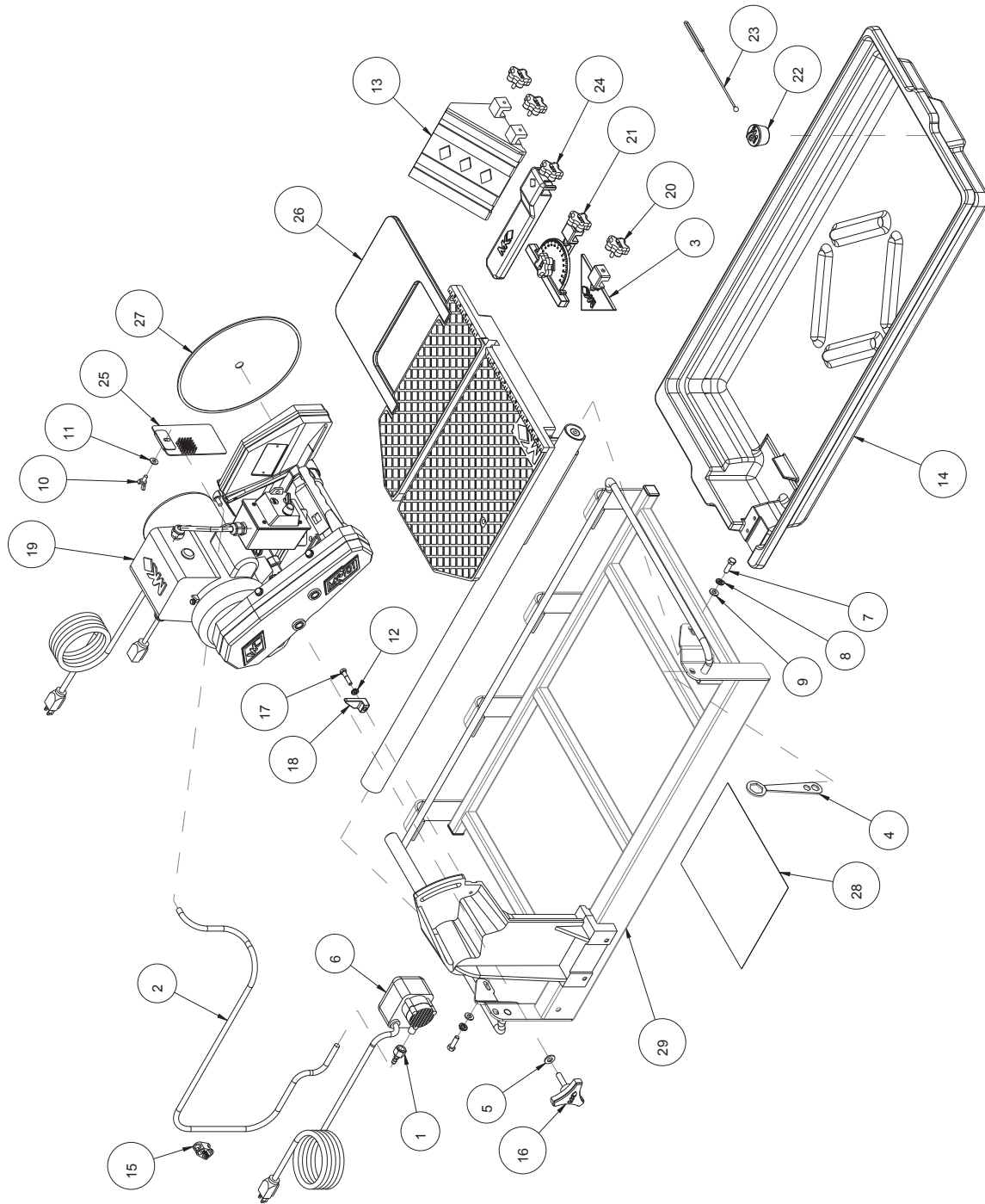


MK-101 Pro24

Revision 300	03.2013
Manual Part No. 158808	

Caution: Read all safety and operating instructions before using this equipment. This owners manual **MUST** accompany the equipment at all times.

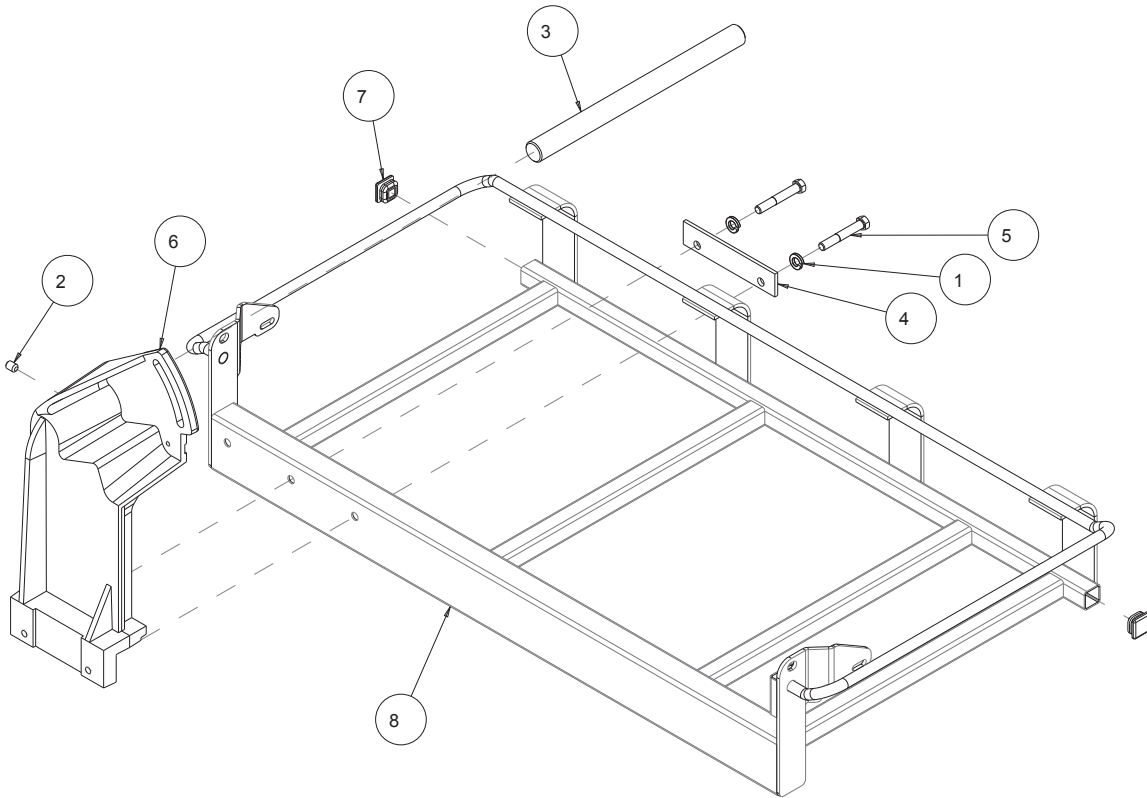
MK-101 Pro24 Tile Saw
Part# 153243



MK-101 Pro24 Assembly Part# 153243

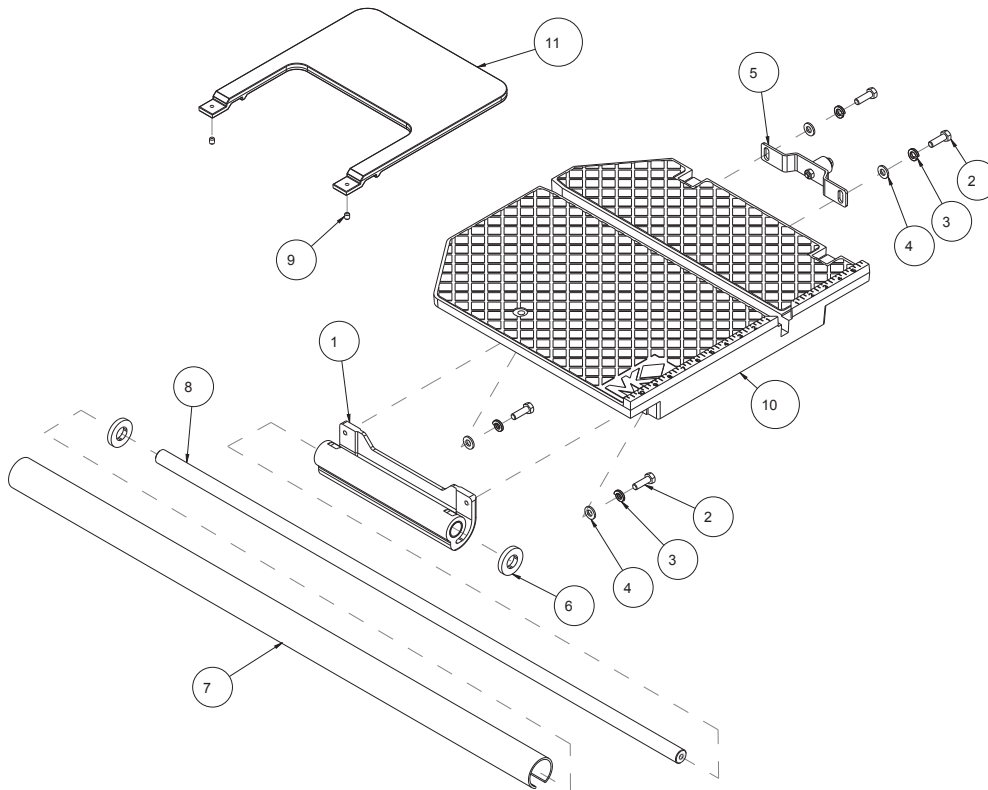
Item	Description	Part #	Qty
1	FITTING, PLASTIC, 1/4 FNPT X 1/4 BARB	128397	1
2	HOSE, VINYL 1/4 X 3/8 (6.0')	132951	1
3	CASTING, ACC DUAL FLAT - COMP	134577	1
4	WRENCH, TILE SAW NUT 15/16	134684	1
5	WASHER, FLAT, SAE, 3/8	150923	1
6	PUMP, WATER 115V/60HZ UL/CSA	151271	1
7	SCREW, HEX HD, 5/16 - 18 X 1	151743	2
8	WASHER, LOCK, SPLIT, 5/16	151747	2
9	WASHER, FLAT, SAE, 5/16	151754	2
10	SCREW, WING, 1/4 - 20 X 1/2	151888	1
11	WASHER, FLAT, SAE, 1/4	151915	1
12	WASHER, LOCK, SPLIT, 1/4	152591	1
13	CASTING, ACC BULLNOSE LRG - COMP	153201	1
14	PAN, WATER	153262	1
15	CLAMP, HOSE, 1/4 - 1/2 FLOW	154394	1
16	KNOB, TRI PLASTIC MK-660 1 -1/2	156770-02	1
17	SCREW HEX HD 1/4 - 20 X 1 - 1/4	157145	1
18	STOP, CUTTING HEAD	157728	1
19	ASSY, DC CUTTING HD, MK-101PRO	158481	1
20	KNOB, RUBBER, 1/4 - 20 X 3/4" LONG	159428-1	3
21	PROTRACTOR, 90 DEG	159429	1
22	DRAIN PLUG, W/RING	159529	1
23	STRAP, 9" DRAIN PLUG	159530	1
24	RIP GUIDE, LARGE DIE CAST	159751	1
25	GUARD, SPLASH	160310	1
26	ASSY, TABLE, PRO-24	160378	1
27	MK-225 10 X 050 X 5/8 4MM SAWS	160593	1
28	SHEET, WARNING LABELS, TILE SAW	166012	1
29	ASSY, FRAME AND POST, 101 PRO24	170477	1

Frame Assembly
Part# 170477



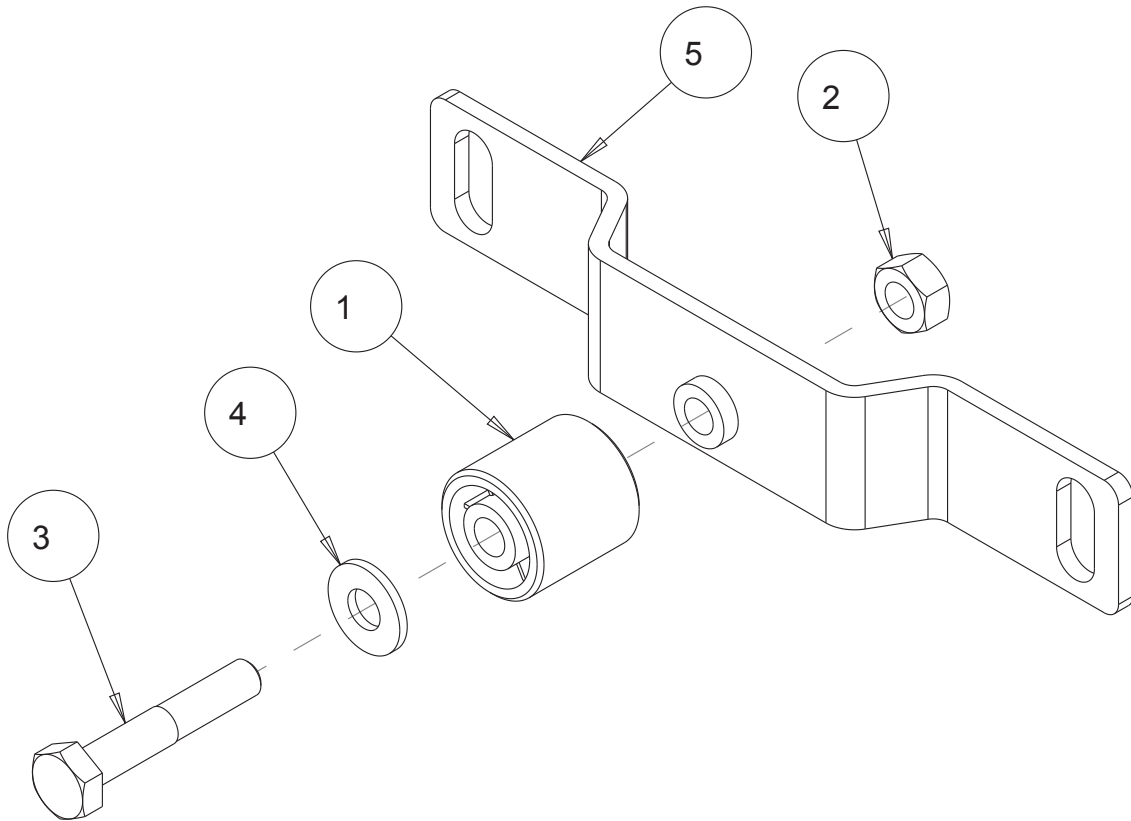
Item	Description	Part #	Qty
1	WASHER, LOC, SPLIT, 3.8	150925	2
2	SCREW, SET, SOC, CUPT, 3.8 - 16 X 1/2	153710	1
3	SHAFT, 12.88 PIVTO	155530	1
4	PLATE, PRESSURE	155671	1
5	SCREW, 3/8 -16 X 2 - 1/2 HEX HEAD CAP	156030	2
6	CASTING, POST, PRO24 OFFSET-COMP	158405	1
7	PLUG, PLASTIC, 1 SQ - 14 -20 GA	160727-1	2
8	FRAME, 10" TILE SAW, 24" RIP	168021-24	1

Table Assembly
Part# 160378



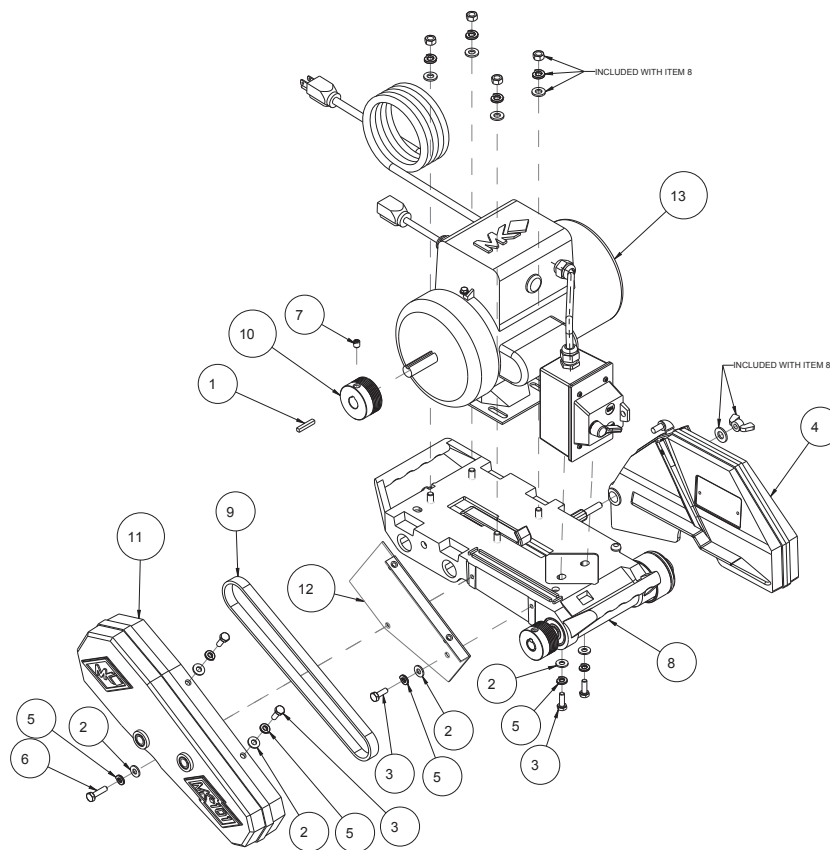
Item	Description	Part #	Qty
1	CASTING, 101/990 LNR BRG MT - COM	135855	1
2	SCREW, HEX HD, 5/16 - 18 X 1	151743	4
3	WASHER, LOCK, SPLIT, 5/16	151747	4
4	WASHER, FLAT, SAE, 5/16	151754	4
5	ASSY, WHEEL BRKT TSAW	151756	1
6	SPACER, GUIDE BAR COVER, COMMON	152393	2
7	COVER, 3/4 X 37 GUIDE BAR	153219	1
8	BAR, 3/4 X 37 LINEAR GUIDE, 101	153492	1
9	SCREW, 1/4 - 20 X 5/16 SOCKET HEAD SET	154226	2
10	CAST, TABLE, PRO24, OVRMLD - COMP	161182	1
11	TABLE, EXTENSION (COMP)	162075	1

Assy, Wheel Brkt TSaw
Part# 151756

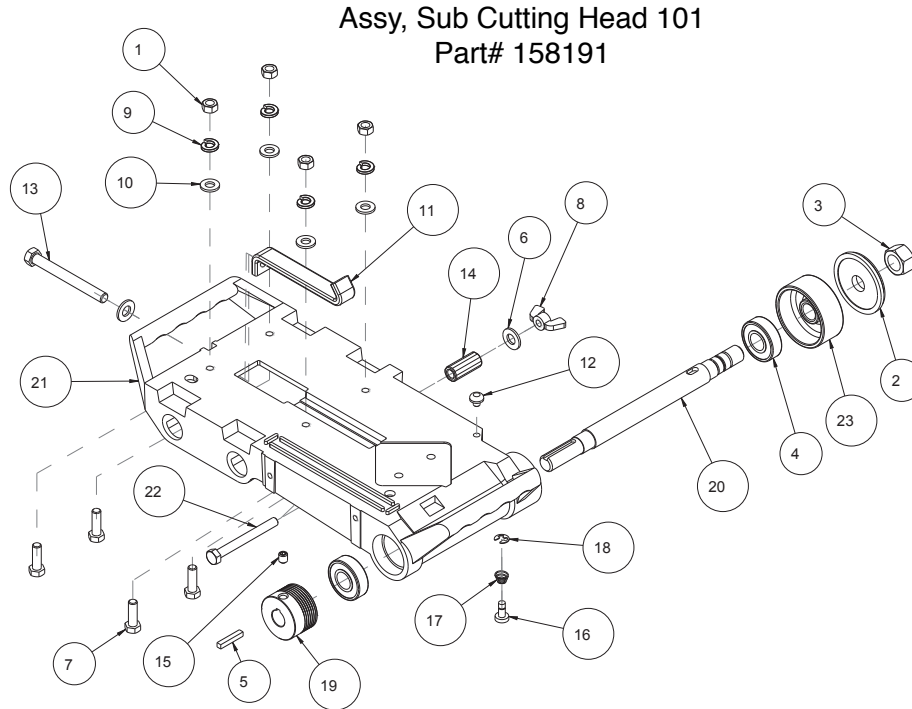


Item	Description	Part #	Qty
1	WHEEL, ROLLER TSAW	151799	1
2	NUT, HEX, 1/4 - 20	151893	1
3	SCREW, HEX HEAD 1/4 - 20 X 1 - 1/2	151914	1
4	WASHER, FLAT, SAE, 1/4	151915	1
5	BRACKET, ROLLER WHEEL	154021	1

Cutting Head
Part# 158481

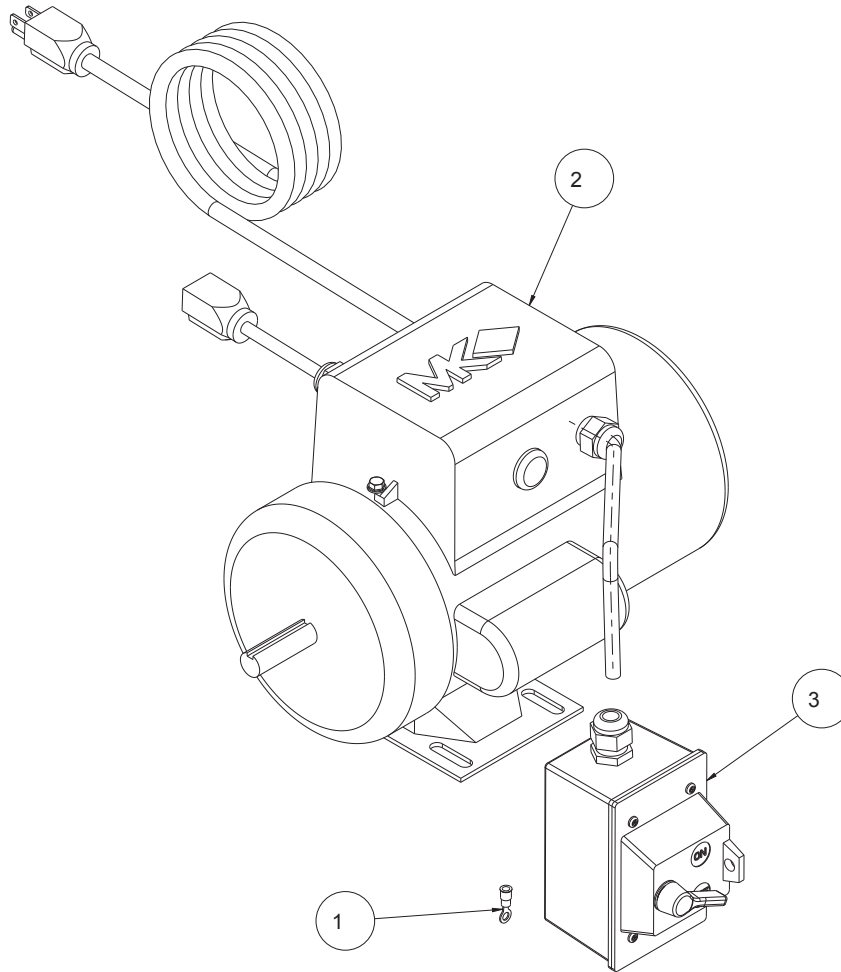


ITEM	DESCRIPTION	Part #	Qty
1	KEY, 3/16 SQ X 1 - 1/8	150344	1
2	WASHER, FLAT, SAE, 1/4	151915	6
3	SCREW, HEX HD, 1/4 - 20 X 3/4	152370	5
4	ASSY, BLADE GUARD, 101	152582	1
5	WASHER, LOCK, SPLIT, 1/4	152591	6
6	SCREW, HEX HD TAP, 1/4 - 20 X 1	152676	1
7	SCREW, 5/16 - 18 X 3/8 SOCKET HEAD SET	157083	1
8	ASSY, SUB, CTTG HEAD MK-101	158191	1
9	BELT, 6J260	158194	1
10	PULLEY, 6J19 X 5.8 BORE	158199	1
11	CASTING, 101 BELT GUARD - COMP	158319-01	1
12	BRACKET, INNER BELTGUARD	158611	1
13	ASSY, MTR 1.5HP, 120V, 60 HZ	160486	1

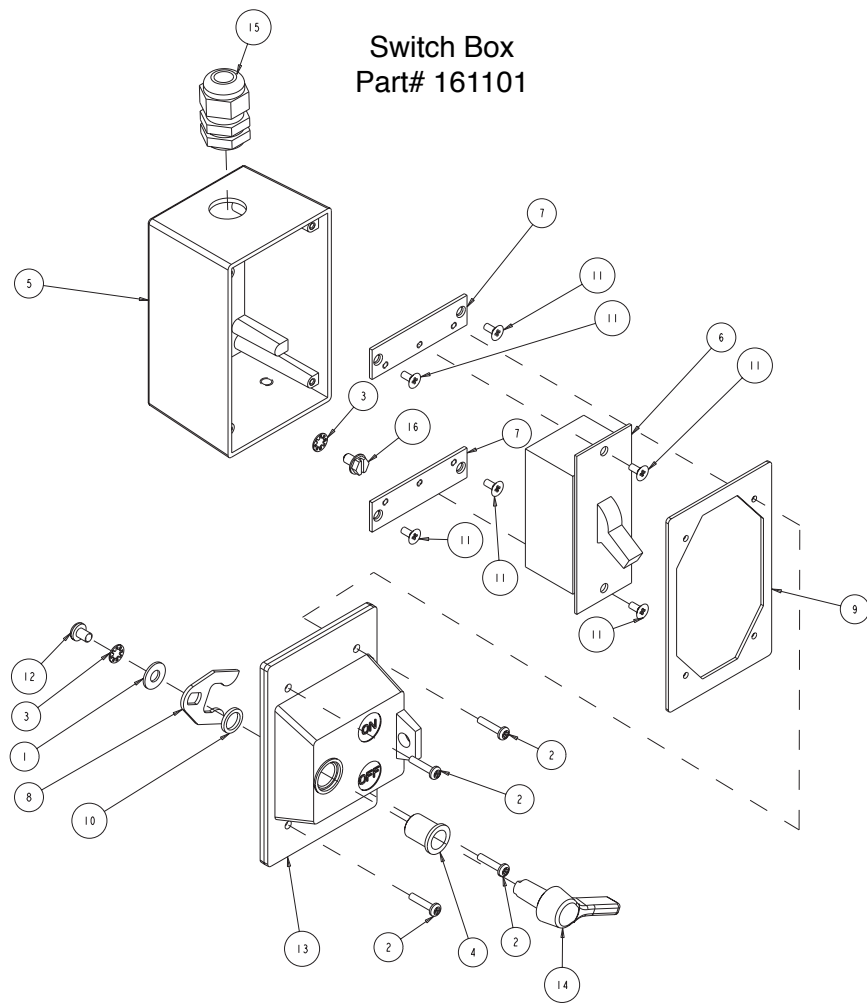


ITEM	DESCRIPTION	Part #	Qty
1	NUT, HEX, 5/16 - 18	101196	4
2	FLANGE, OUTER, 2 - 3/8	135830	1
3	NUT, HEX, 5/8 18	135848	1
4	BEARING, BALL, 17 X 40 X 12MM	137711	2
5	KEY, 3/16 SQ X 1/ 1/8	150344	1
6	WASHER, FLAT, SAE, 3/8	150923	2
7	SCREW, HEX HD, 5/16 - 18 X 1	151743	4
8	NUT, WING, NYLK, 5/16 - 18 X 1	151746	1
9	WASHER, LOCK, SPLIT, 5/16	151747	4
10	WASHER, FLAT, SAE, 5/16	151754	4
11	STRAP, 1 INCH MOTOR ADJ.	152673	1
12	BUMPER, RUBBER, 1/2 DIA	152674	1
13	BOLT, 3/8 -16 X 3-1/2 HEX HEAD TAP	153147	1
14	PIVOT, BLADE GUARD	153208	1
15	SCREW, 5/16 - 18 X 3/8 SOCKET HEAD SET	157083	1
16	BUTTON, SHAFT LOCK	158200	1
17	SPRING, BLADE SHAFT LOCK	158201	1
18	RING, 1/4 E-STYLE RETAINING	158202	1
19	PULLEY, 6J17 X 5.8 BORE	158214	1
20	SHAFT, BLADE	158222	1
21	CASTING, 10" CTTG HEAD - COMP	158224	1
22	SCREW, HEX HD, TAP, 5/16 - 18 X 3	162473	1
23	FLANGE, Ø 2 - 3/8 INNER	162758	1

Motor
Part# 160486



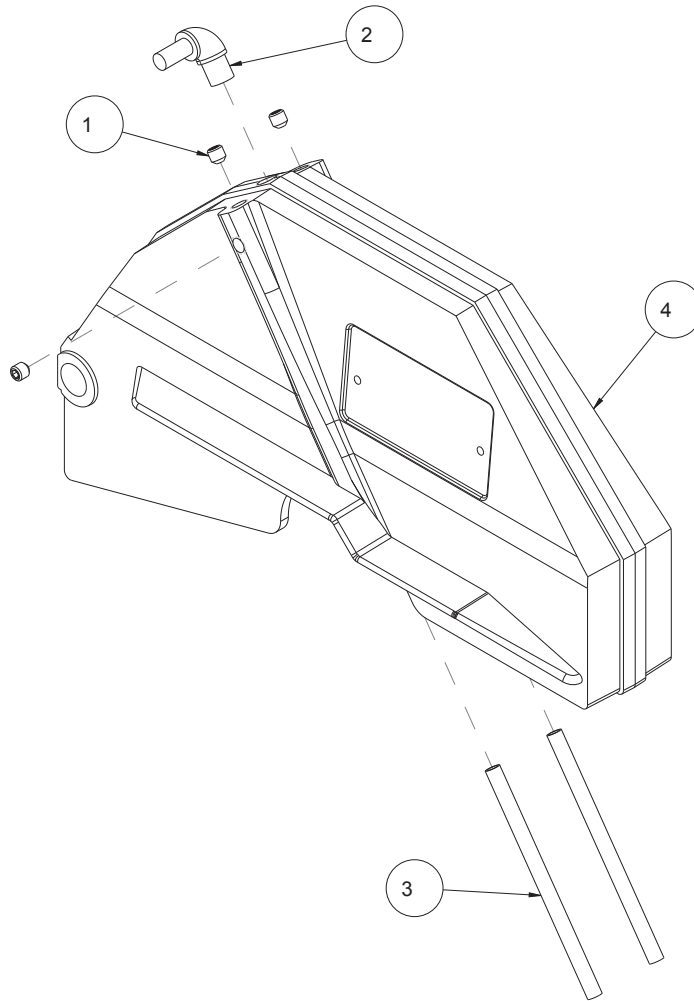
ITEM	DESCRIPTION	Part #	Qty
1	TERMINAL, 16 - 14 AWG X #10 RING	154540	1
2	MTR, 1.5HP 120V 60HZ	160484	1
3	ASSY, SWITCH BOX, 30AMP, LTF11	161101	1



Switch Box
Part# 161101

ITEM	DESCRIPTION	Part #	Qty
1	WASHER, #10 SAE FLAT	154369	1
2	SCREW, PAN HD PHIL 6 - 32 X 5/8	157393	4
3	WASHER #10, INTERNAL TEETH	158336	2
4	BUSHING, SWITCH, 30 AMP	158799	1
5	BOX, 30A SWITCH (COMP)	159487	1
6	SWITCH, 30 AMP MOTOR CONTROLLER	159488	1
7	PLATE, MOUNTING, SWITCH	159489	2
8	LEVER, ON/OFF, 30 AMP SWITCH	159490	1
9	GASKET, COVER, 30 AMP SWITCH	159491	1
10	SEAL, LEVER, 30 AMP SWITCH	159492	1
11	SCREW, FLAT HD PHIL 6 - 32 X 5/16	159493	6
12	SCREW, PAN HD PHIL 10 -24 X 5/16	159494	1
13	COVER, 30A SWITCH (COMP)	159539	1
14	LEVER, ACTUATOR (COMP)	159540	1
15	STRAIN RELIEF, HEYCO 3213	159582	1
16	SCREW, HEX HD FL 10 - 24X 5/16	159597	1

Blade Guard
Part# 152582



ITEM	DESCRIPTION	Part #	Qty
1	SCREW, 5/16 - 18 X 1/2 SOCKET HEAD SET	152607	3
2	ELBOW, 1/8 MNPT X 1/4 BARB 90DEG	154652	1
3	TUBE, WATER	155389	2
4	CASTING, 101 BLD GUARD-DC-COMP	162481	1

ACCESSORIES

ITEM	NUMBER	DESCRIPTION	
1.	137166	MK-200, 10 x 5/8 Arbor Premium grade Diamond Blade for smooth, chip-free cutting on tile.	
2.	128074	MK-215, 10 x 5/8 Arbor Supreme grade diamond blade for hard materials	
3.	153252	MK-315, 10 x 5/8 Arbor Supreme super hi-rim diamond blade	
4.	134577-MK	Dual 45° Flat Angle Guide	
5.	153201-MK	45° Bullnose Mi- ter	
6.	134569-MK	90° Protrac- tor	
7.	152792	Dressing Stone	
8.	152610	Ground Fault Circuit Interrupter	
9.	169658	Saw Tent	



ORDERING INFORMATION

You may order MK Diamond products through your local MK Diamond distributor or, you may order direct from MK Diamond.

When ordering direct from MK Diamond, please have the following information ready before calling:

- The Model Number of the saw
- The Serial Number of the saw
- Where the saw was purchased and when
- The Part Number for the part(s) being ordered
- The Part Description for the part(s) being ordered

NOTE: There is a \$25.00 minimum order when ordering direct from MK Diamond. A \$5.00 charge will be added to orders having a net billing value under \$50.00. All purchases must be made using VISA, MasterCard or American Express.

All parts may be ordered by calling toll free to – 800 421-5830 or 310 539-5221 and asking for Customer Service. For technical questions, call – 800 474-5594.

RETURN MATERIALS POLICY

To expedite the service relative to the return of a product purchased through MK Diamond, please observe the following:

NOTE: When returning all items, they must have been purchased within the previous twelve (12) months.

- Have the Model Number of the saw
- Have the Serial Number of the saw
- Have the location of where the saw was purchased
- Have the date when the saw was purchased
- Contact Customer Service for approval to return the item(s)
- Obtain a Returned Goods Number (RGA) authorizing the return
- Follow the packaging instructions in the following section
- Ensure your item(s) are prepaid to the destination

For returned items, call toll free to – 800 421-5830 or 310 539-5221 and ask for Customer Service. For technical questions, call – 800 474-5594 or 310 257-2845.

PACKAGING INSTRUCTIONS

- Remove the Cutting Head and Support Angle Assembly
- Dry the saw before shipping
- When packing, include the following: Saw, Diamond Blade, Blade Guard and Support Angle Assembly and Adjustable Cutting Guide (Other Accessories are not required)
- Package the unit in its original container or one of comparable size (do not ship the unit partially exposed)
- Ensure all parts are secured in the packaging to prevent moving

AUTHORIZED SERVICE CENTERS

For quicker repair time, you may contact MK Diamond Customer Service, toll free, at 800 421-5830 or 310 539-5221 for the Authorized Service Center closest to you or visit our web site at www.mkdiamond.com. For technical questions, call – 800 474-5594.

CONTACT:

Please contact MK Diamond Products, Inc. Customer Service Department with any questions you might have regarding distributors, parts or service.

Telephone: **(800) 421-5830**

Fax: **(310) 539-5158**

E-mail: **Customer_Service@MKDiamond.com**

Customer Service Hours: **Monday through Friday, 6AM-4PM PST**

MK Diamond Products, Inc.

1315 Storm Parkway

Torrance, CA 90501

MK DIAMOND PRODUCTS, INC. LIMITED WARRANTY

MK DIAMOND PRODUCTS, INC. will guarantee every machine they build, to be free from defects in material and workmanship for (1) one year from date of purchase. The obligation of MK DIAMOND PRODUCTS, INC. under this warranty is limited to the repair or replacement of any parts which, under normal use, prove to be defective in material or workmanship. The parts involved or the unit in question should be returned to MK DIAMOND PRODUCTS, INC. or to a point designated by us, transportation prepaid.

This warranty does not obligate us to bear the cost of labor or transportation charges in connection with replacement or repair of defective parts. Likewise, it shall NOT apply to any unit which has been subjected to misuse, neglect or accident. This warranty does NOT apply to any machine which has been repaired or altered outside our factory.

This warranty does NOT obligate MK DIAMOND PRODUCTS, INC., with respect to items not of our manufacture, such as engines, motors, hydraulics, etc., which are subject to their own guarantees and warranties.

We shall in no event be liable for consequential damages or contingent liabilities arising out of failure of any equipment or parts to operate properly.

© COPYRIGHT 2012, MK DIAMOND PRODUCTS, INC. ALL RIGHTS RESERVED.

The MK Diamond logo is a registered trademark of MK Diamond Products, Inc. and may not be used, reproduced, or altered without written permission. All other trademarks are the property of their respective owners and used with permission.

MK Diamond may have patents, patent applications, trade marks, copyrights of other intellectual property right covering this product in this document.

This manual MUST accompany the equipment at all times. This manual is considered a permanent part of the equipment and should remain with the unit if resold.

The information and specifications included in this publication were in effect at the time of approval for printing.

MK-101 PRO 24 TILE SAW
OWNERS MANUAL & OPERATING INSTRUCTION



MK Diamond Products, Inc.

MK Diamond Products, Inc.
1315 Storm Parkway
Torrance, CA 90501

Toll-Free: (800) 845-3729
Phone: (310) 539-2221
Fax: (310) 539-5158
www.mkdiamond.com